

Short Full Height Scissor Lift (3.5 Tonne) - Recessed VGE-E35



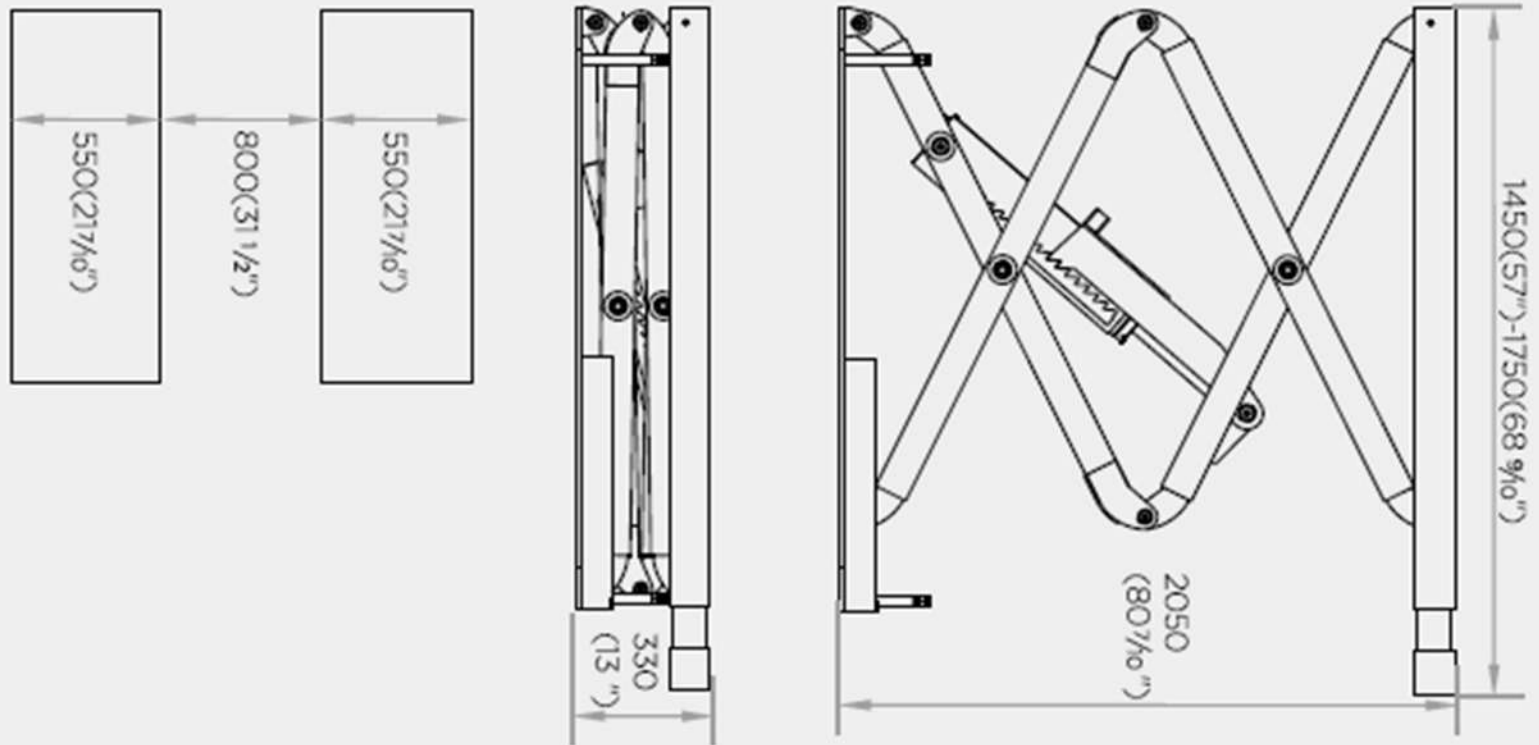
FEATURES

- 3,500 kg capacity
- Pneumatic lock release
- Lifting capacity 3.5T
- Extendable platform
- Lifting height 2,050mm
- Minimum height (Recessed)
- Height limit switch
- Safety descending alarm as standard
- Comes with 4 x rubber blocks
- Requires air
- Requires recessed installation
- 24 months warranty*

*Terms and conditions apply



Short Full Height Scissor Lift (3.5 Tonne) - Recessed VGE-E35



TECHNICAL DATA

Lifting Capacity	3,500 kg
Platform Length	1,450mm -1,750mm
Platform Width	550mm
Overall Width	1,900mm
Lifting Height (Max)	2,050mm
Minimum Height	330mm
Motor Power	220v / 50Hz / 1Ph / 2.2KW